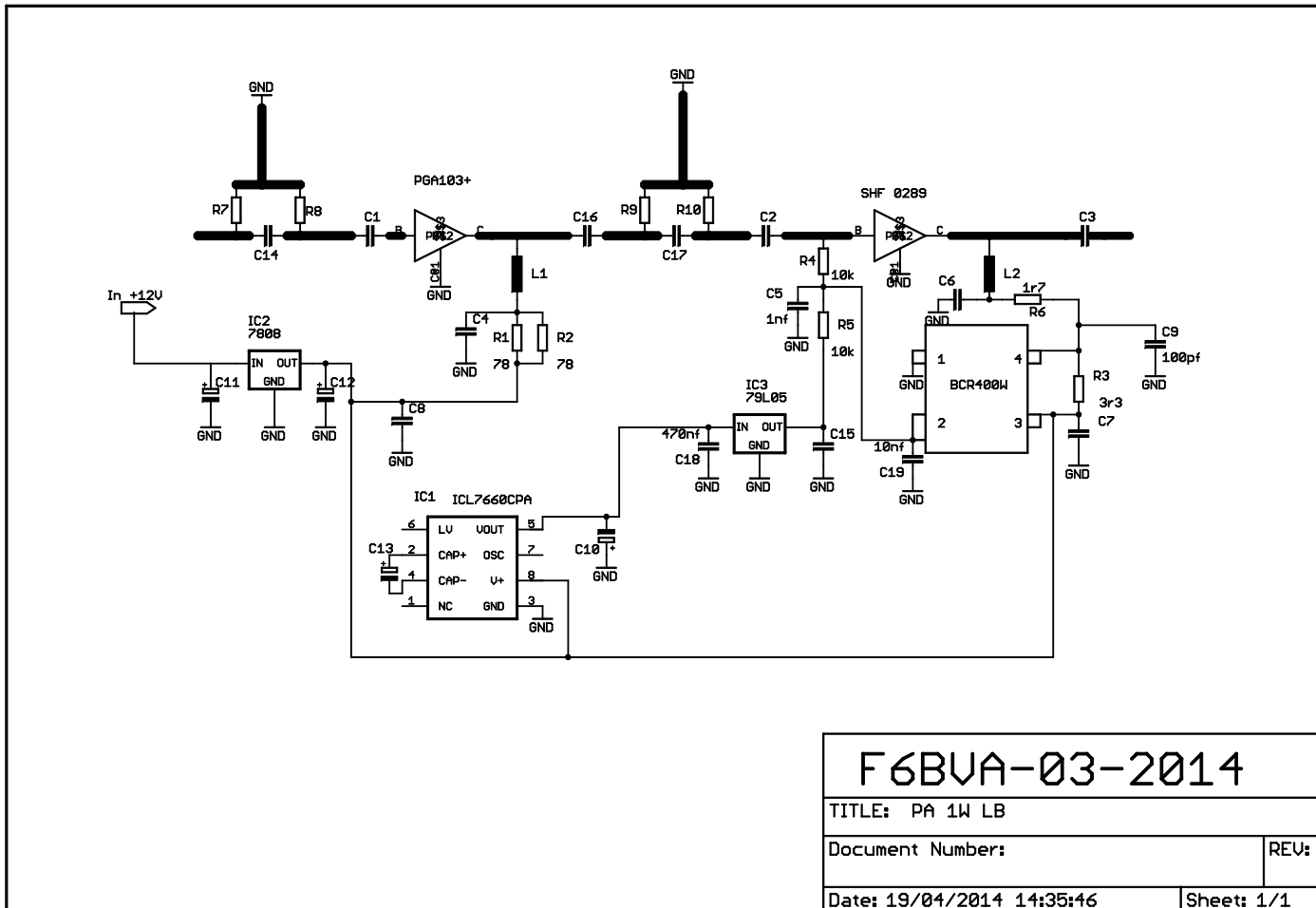


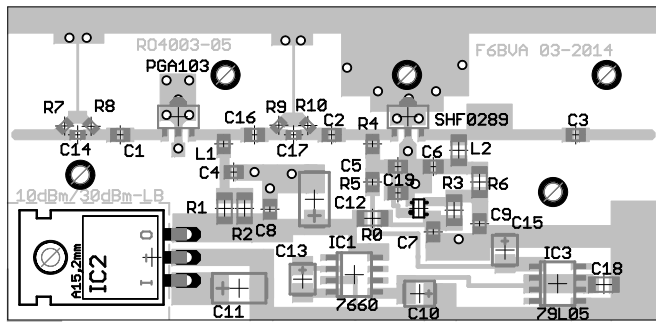
Pin
*10dBm

Pout
*30dBm

Ampli LB
0.4 à 3GHz



F6BVA-03-2014	
TITLE: PA 1W LB	
Document Number:	REV:
Date: 19/04/2014 14:35:46	Sheet: 1/1





Amplificateur 1 watt, Large bande.

Nomenclature :

Désignation	Valeur	Comment.
Mmic1	PGA103+	
Q2	SHF0289	
IC1	ICL7660	SO8
IC2	7808	TO220
IC3	79L05	SO8
IC4	BCR400W	
C1, 2, 3, 16	27pf	0805
C4, 6	82pf	0805
C5, 7	1nf	0805
C8	10nf	0805
C9	100pf	0805
C10, 11, 12, 13	10 μ f	
C14, 17	3pf3	
C15	100nf	
C18	470nf	
C19	10nf	
L1, L2	56nh	BCQ56NC
R1, 2	78 ohms	0805
R3	3r3	
R4, R5	10K	
R6	1r7	
R7, R8, R9, R10	39 ohms	0805